

BOSCARO SELF DUMPING BINS

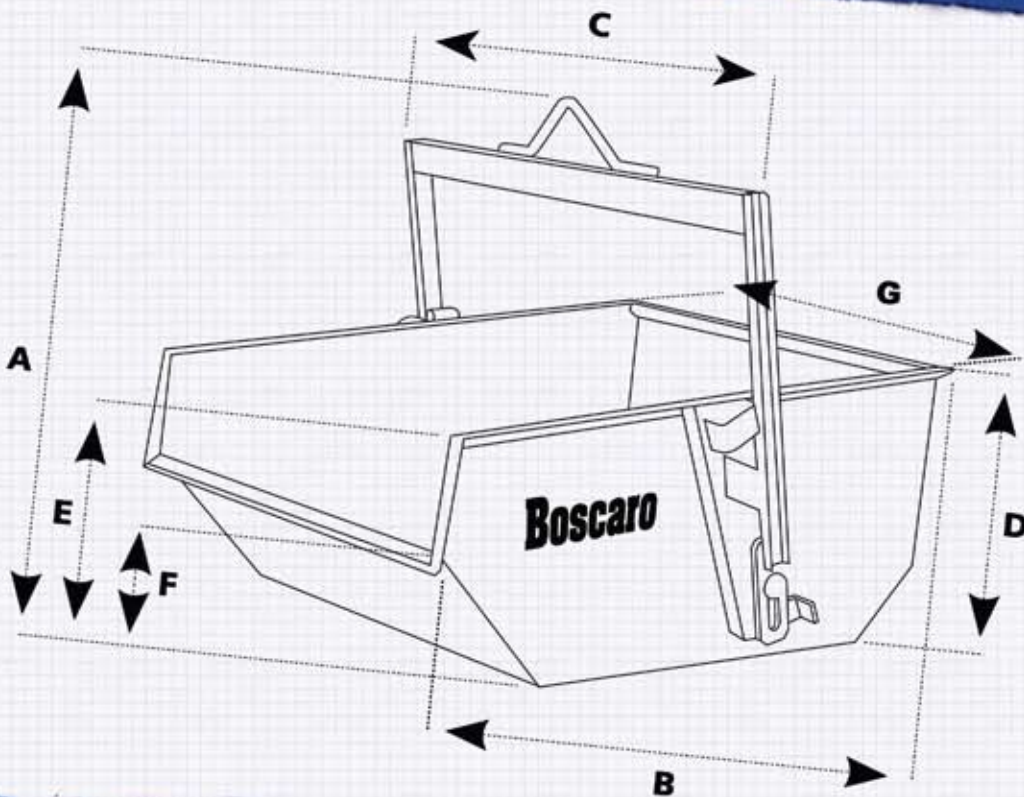


RUGGED CONSTRUCTION and compliance with engineering standards are the benchmarks of all Boscaro equipment.

SO WITH FIVE HIGHLY EFFECTIVE SIZES to choose from why not put these self dumping material handling bins to work for you today?

Our new line of patented “no hands required” self dumping bins from BOSCARO feature excellent size and weight capacities.

Their unique design allows you to effectively move and distribute materials with maximum efficiency and effectiveness, all the while protecting your employees from the safety hazards usually associated with the unloading of garbage bins or other manual material handling equipment.



BOSCARO SELF DUMPING MATERIAL HANDLING BINS

| MODEL | CAPACITY | DIMENSIONS | | | | | | | PAYLOAD | WEIGHT |
|--------|----------|------------|------|------|------|------|------|-------|-----------|----------|
| | | A | B | C | D | E | F | G | | |
| A-99D | 1.30 yd | 4'5" | 5'6" | 4'6" | 2'9" | 2'2" | 1'4" | 4'3" | 3,530 lb | 375 lb |
| A-150D | 2.00 yd | 4'5" | 5'8" | 4'8" | 2'9" | 2'9" | 2' | 4'4" | 4,410 lb | 465 lb |
| A-200D | 2.60 yd | 5'3" | 6'6" | 5'9" | 3'2" | 2'9" | 1'4" | 5' | 7,055 lb | 1,210 lb |
| A-250D | 3.25 yd | 5'5" | 7' | 6' | 3'2" | 2'9" | 2'4" | 5'5" | 8,820 lb | 1,410 lb |
| A-300D | 4.00 yd | 5'9" | 7'5" | 6'9" | 3'3" | 3" | 2'4" | 5'11" | 10,600 lb | 1,545 lb |

The material handling solution you need
 The performance factors you want; **Safety & Speed**

WWW.JCRANE.NET
 937.570.6569